

TECHNICAL SPECIFICATION USER MANUAL

Competition one-piece aluminium hurdle

PP-170

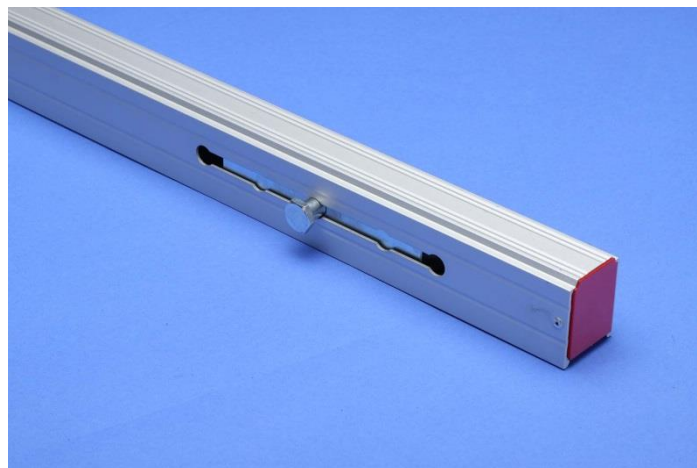
S-018



I. General description and use

PP-170 (S-018) is a highly resistant to weather, very much durable competition hurdle, which is designed for hurdle race in national and international competitions. Main features:

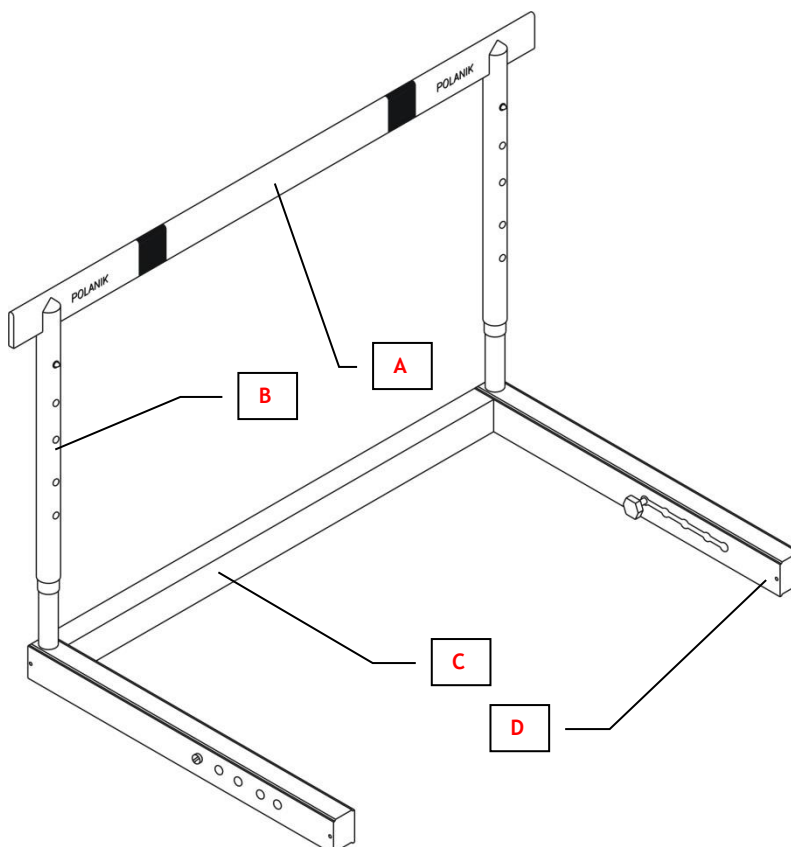
- very durable construction – anodized one-piece aluminium frame, anodized telescope tubes and highly durable plastic top board made of ribbed profile
- easy to stack up because of special square feet
- spring-loaded button systems of height adjustment and counterweight selection
- special cut-outs for mounting crossbars
- it meets the international quality standards
- PP-170 has got the IAAF certificate E-01-0331



II. Technical specification

Code	PP-170	S-018
Hurdle type	one piece, competition, certified	one piece, competition
(A) Top board	plastic, with inside ribbing	plastic, with inside ribbing
(B) Telescope tube	anodized and dyed or powder painted aluminium in blue*, spring-loaded button system of height adjustment	anodized and dyed or powder painted aluminium in blue*, spring-loaded button system of height adjustment
(C) Frame	aluminium anodized	aluminium anodized
(D) Feet	aluminium anodized, permanently fixed to hurdle frame, spring-loaded button system of toppling force selection, counterweights equipped with guide rolls, special square profile makes it easy to stack up	aluminium anodized, permanently fixed to hurdle frame, spring-loaded button system of toppling force selection, counterweights equipped with guide rolls, special square profile makes it easy to stack up
Heights [mm]	-	686
	762	762
	840	840
	914	914
	990	990
	1067	1067
Weight [kg]	12	12

*There may be differences in hue among the telescope tubes within one production batch.

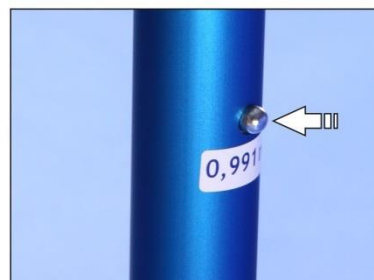


III. Operation and maintenance

The hurdle is ready for use immediately after delivery.

The height adjustment is done as follows:

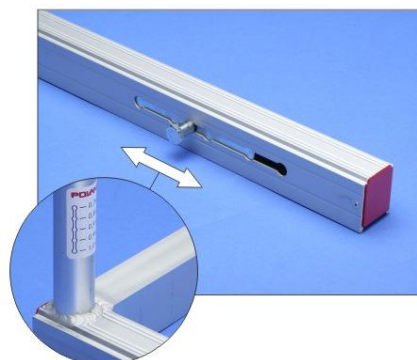
- a) while holding the telescope tubes press the spring-loaded buttons simultaneously,
- b) slide the telescopes down or up to adjust the height until the buttons click,



- c) next the hurdle toppling force should be adjusted accordingly, so pull and hold the knob in the hurdle foot,



- d) then slide the counterweight to the corresponding height according to the label, then release the knob, do the same with the other hurdle foot.



During idle periods the hurdles must be stored in a roofed dry place. For optimal performance they should be stored and transported on Polanik hurdle carts: HC-23 and HC-34. After every athletics season the hurdles must be cleaned from sand (mud, dust and etc).

Even the best technical solutions cannot substitute for common sense. The usage of the product must take place under the supervision of qualified coaches. The producer shall not be liable for any incidents caused by its misuse.

IV. Packing and transport

The hurdles are put on pallets (15 pcs on one pallet) and wrapped with foil for short distances or sent overseas in cases.

Packing type		foiled pallet	case
Package's dimensions [cm]	contents	15 hurdles	15 hurdles
	length	122	127
	width	108	113
	height	175	187
Volume [m ³]		2,31	2,68
Gross weight [kg]		210	250



V. Product image



PP-170 © 2018

The producer reserves the right to introduce without warning changes in product constructions and colours.

VI. IAAF Certificate (PP-170)

International Association of Athletics Federations



Product Certificate

*The IAAF is pleased to certify hereby
that the following product:*

Product's Trade Name:

Hurdle, Competition

Description, Colour / Absolute Thickness:

Aluminium, Silver/blue

Company Name, Country:

Polanik Sp. z o. o. - Sp. K., POL

Catalogue Number:

PP-170

IAAF Certification Number:

E-01-0331

meets the dimensional requirements for use in all international athletics competitions.

It is for the purchaser to determine the item's fitness for the purpose based on his knowledge of the local conditions and use.

Valid from:

1 February 2018

Until the last day of:

February 2022

This certificate is issued in accordance with the terms and conditions of the IAAF Certification System of track and field facilities, implements and competition equipment.

SEBASTIAN COE
IAAF President

JORGE SALCEDO
IAAF Technical Committee Chairman



VII. Declaration (S-018)

1) No. 2017-11-16

2) Issuer's name: POLANIK

Issuer's address: Życzliwa 11, 97-300 Piotrkow Tryb.

3) Object of declaration:

No.	Description of goods	Code
1	Competition one-piece aluminium hurdle	S-018

4) The object of declaration described above is in conformity with the requirements of the following documents:

Articles	Document title	Issuer
Rule 168	IAAF Competition Rules 2018-2019	International Association of Athletics Federations 6-8, Quai Antoine 1er, BP 359, MC 98007 Monaco Cedex Tel. +3377 93 10 88 88 Fax +377 93 15 95 15 www.iaaf.org

Additional Information

5) Declaration for:

Buyer/Distributor/User

Signed for and in behalf of:

POLANIK

2017-11-16 Piotrków Tryb.
(Date and place of issue)

6) Pawel Ciechanowski
Product Manager

.....
(Name, function)


.....
(Signature or equivalent authorized by the issuer)